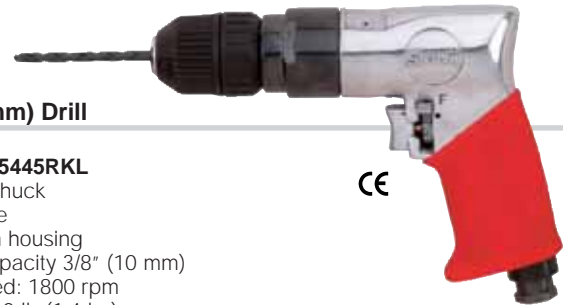




**3/8" (10 mm) Drill**

**Model No. 5440**

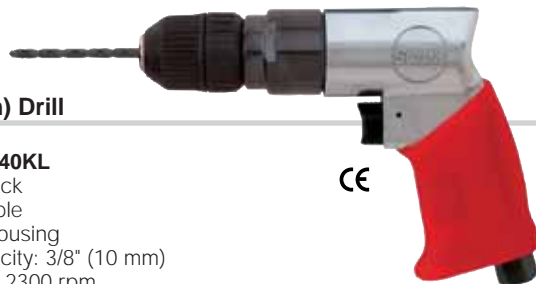
- Keyed chuck
- Non-reversible
- Aluminum housing
- Chuck capacity: 3/8" (10 mm)
- Free speed: 2300 rpm
- Weight: 2.1 lb (1.0 kg)
- Length: 7.9" (190 mm)
- Air inlet size: 1/4" NPT
- Recommended hose size: 3/8" (10 mm)



**3/8" (10 mm) Drill**

**Model No. 5445RKL**

- Keyless chuck
- Reversible
- Aluminum housing
- Chuck capacity 3/8" (10 mm)
- Free speed: 1800 rpm
- Weight: 3.0 lb (1.4 kg)
- Length: 8.0" (200 mm)
- Air inlet size: 1/4" NPT
- Recommended hose size: 3/8" (10 mm)



**3/8" (10 mm) Drill**

**Model No. 5440KL**

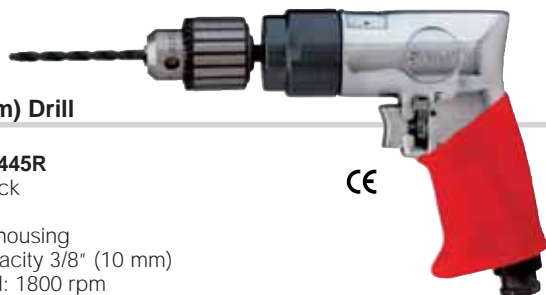
- Keyless chuck
- Non-reversible
- Aluminum housing
- Chuck capacity: 3/8" (10 mm)
- Free speed: 2300 rpm
- Weight: 2.1 lb (1.0 kg)
- Length: 7.5" (190 mm)
- Air inlet size: 1/4" NPT
- Recommended hose size: 3/8" (10 mm)



**1/2" (13 mm) Drill**

**Model No. 5450R**

- Keyed chuck
- Reversible
- Aluminum housing
- Support handle
- Free speed: 550 rpm
- Chuck capacity: 1/2" (13 mm)
- Weight: 4.3 lb (1.95 kg)
- Length: 9.25" (235 mm)
- Air inlet size: 1/4" NPT
- Recommended hose size: 3/8" (10 mm)



**3/8" (10 mm) Drill**

**Model No. 5445R**

- Keyed chuck
- Reversible
- Aluminum housing
- Chuck capacity 3/8" (10 mm)
- Free speed: 1800 rpm
- Weight: 3.0 lb (1.4 kg)
- Length: 8.0" (200 mm)
- Air inlet size: 1/4" NPT
- Recommended hose size: 3/8" (10 mm)



**3/8" (10 mm) Inline Air Drill**

**Model No. 5434**

- Keyed Chuck
- Non-Reversible
- Aluminum housing
- Lockoff level throttle
- Rear exhaust
- Built-in speed regulator
- Free speed: 2500 rpm
- Chuck capacity: 3/8" (10 mm)
- Weight: 2.0 lb (0.9 kg)
- Length: 8.0" (200 mm)
- Air inlet size: 1/4" NPT
- Recommended hose size: 3/8" (10 mm)



**SAFETY PRECAUTION:** Read and follow all safety and operating instructions.  
**WARNING:** Face & eye protection must be worn while operating power tools, per ANSI B186.1